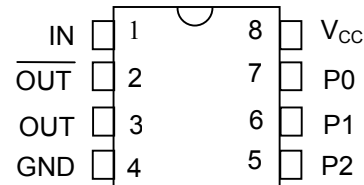


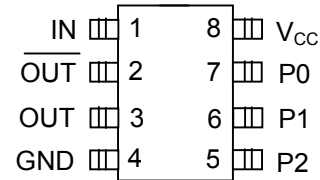
### FEATURES

- All-silicon pulse width generator
- Five programmable widths
- Equal and unequal increments available
- Pulse widths from 5 ns to 500 ns
- Widths are stable and precise
- Rising edge-triggered
- Inverted and non-inverted outputs
- Width tolerance  $\pm 5\%$  or  $\pm 2$  ns, whichever is greater
- Economical
- Auto-insertable, low profile
- Low-power CMOS
- TTL/CMOS-compatible
- Vapor phase, IR and wave solderable
- Custom widths available
- Fast turn prototypes
- Extended temperature range available

### PIN ASSIGNMENT



DS1040M 8-Pin DIP (300-mil)  
See Mech. Drawings Section



DS1040Z 8-Pin SOIC (150-mil)  
See Mech. Drawings Section

### PIN DESCRIPTION

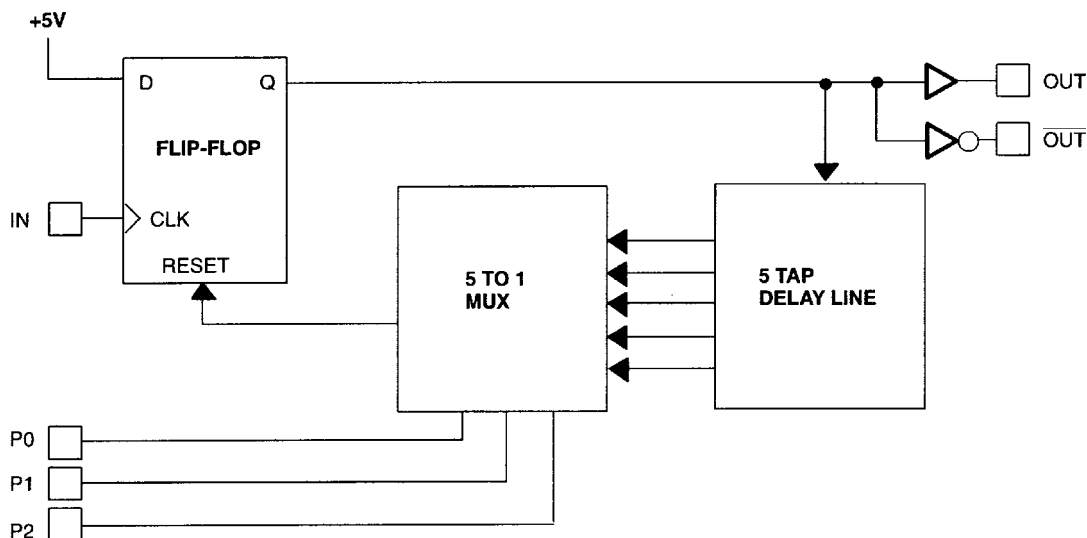
IN	– Trigger Input
P0-P2	– Programming Pins
GND	– Ground
OUT	– Pulse Output
<u>OUT</u>	– Inverted Pulse Output
V <sub>CC</sub>	– +5V

### DESCRIPTION

The DS1040 Pulse Generator is a user-programmable one-shot with a choice of five precise pulse widths. Maximum widths range from 50 ns to 500 ns; increments range from 2.5 ns to 100 ns. For maximum flexibility in applications such as magneto-optical read/write disk laser power control, varieties are offered with equal and unequal increments. The DS1040 is offered in standard 8-pin DIPs and 8-pin mini-SOICs. Low cost and superior reliability over hybrid technology are achieved by the combination of a 100% CMOS silicon design and industry standard packaging. The DS1040 series of pulse generators provide a nominal width accuracy of  $\pm 5\%$  or  $\pm 2$  ns, whichever is greater. In response to the rising edge of the input (trigger) pulse, the DS1040 produces an output pulse with a width determined by the logic states of the three parallel programming pins. For convenience, both inverting and non-inverting outputs are supplied. The intrinsic delay between the trigger pulse and the output pulse is no more than 10 ns. Each output is capable of driving up to five 74LS loads.

Dallas Semiconductor can customize standard products to meet special needs. For special request and rapid delivery, call (972) 371-4348.

# LOGIC DIAGRAM Figure 1



## PULSE WIDTH VS. PROGRAMMED VALUE Table 1

	PROGRAMMING PINS		MAX WIDTH	MIN WIDTH	→			MAX WIDTH	MAX WIDTH	MAX WIDTH
	MSB	LSB			0	1	0			
	P2		0	0	0	0	1	1	1	1
		P1	0	0	1	1	0	0	1	1
		P0	0	1	0	1	0	1	0	1
<b>PART NUMBER</b>										
DS1040-75			75	15	30	45	60	75	75	75
DS1040-100			100	20	40	60	80	100	100	100
DS1040-150			150	30	60	90	120	150	150	150
DS1040-200			200	40	80	120	160	200	200	200
DS1040-250			250	50	100	150	200	250	250	250
DS1040-500			500	100	200	300	400	500	500	500
DS1040-B50			50	30	35	40	45	50	50	50
DS1040-D60			60	20	30	40	50	60	60	60
DS1040-A15			15	5	7.5	10	12.5	15	15	15
DS1040-A20			20	10	12.5	15	17.5	20	20	20
DS1040-A32			32.5	22.5	25	27.5	30	32.5	32.5	32.5
DS1040-B40			40	20	25	30	35	40	40	40
DS1040-D70			70	30	40	50	60	70	70	70

All times in nanoseconds.

Custom pulse widths available.

**ABSOLUTE MAXIMUM RATINGS\***

Voltage on any Pin Relative to Ground	-1.0V to +7.0V
Operating Temperature	0°C to 70°C
Storage Temperature	-55°C to +125°C
Soldering Temperature	260°C for 10 seconds
Short Circuit Output Current	50 mA for 1 second

\* This is a stress rating only and functional operation of the device at these or any other conditions above those indicated in the operation sections of this specification is not implied. Exposure to absolute maximum rating conditions for extended periods of time may affect reliability.

**DC ELECTRICAL CHARACTERISTICS** (0°C to 70°C;  $V_{CC} = 5.0V \pm 5\%$ )

PARAMETER	SYMBOL	TEST	MIN	TYP	MAX	UNITS	NOTES
Supply Voltage	$V_{CC}$		4.75	5.00	5.25	V	1
High Level Input Voltage	$V_{IH}$		2.2		$V_{CC} + 0.5$	V	1
Low Level Input Voltage	$V_{IL}$		-0.5		0.8	V	1
Input Leakage Current	$I_I$	$0.0 \leq V_I \leq V_{CC}$	-1.0		1.0	$\mu A$	
Active Current	$I_{CC}$	$V_{CC} = \text{Max};$ Period = Min		35	75	mA	2, 6
High Level Output Current	$I_{OH}$	$V_{CC} = \text{Min}$ $V_{OH} = 4$			-1	mA	
Low Level Output Current	$I_{OL}$	$V_{CC} = \text{Min}$ $V_{OL} = 0.5$	8			mA	

**AC ELECTRICAL CHARACTERISTICS** ( $T_A = 25^\circ C$ ;  $V_{CC} = 5.0V \pm 5\%$ )

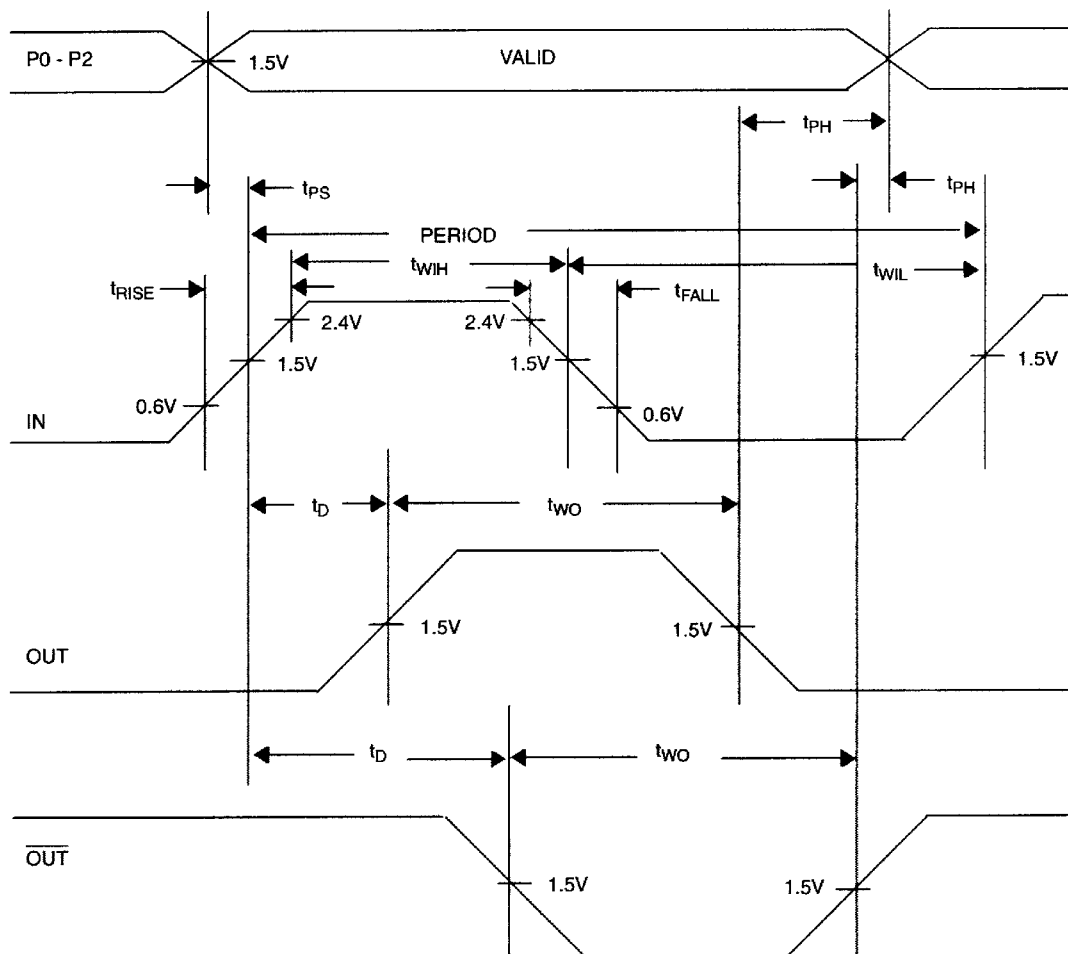
PARAMETER	SYMBOL	MIN	TYP	MAX	UNITS	NOTES
Programming Setup	$t_{PS}$	5			ns	
Programming Hold	$t_{PH}$	0			ns	
Input Pulse Width at Logic 1	$t_{WIH}$	5			ns	
Input Pulse Width at Logic 0	$t_{WIL}$	5			ns	
Intrinsic Delay	$t_D$	0	5	10	ns	
Output Pulse Width	$t_{WO}$		Table 1		ns	3, 4, 5, 7
Power-up Time	$t_{PU}$			100	ms	
Period	Period	$t_{WO} + 50$			ns	

**CAPACITANCE** ( $T_A = 25^\circ C$ )

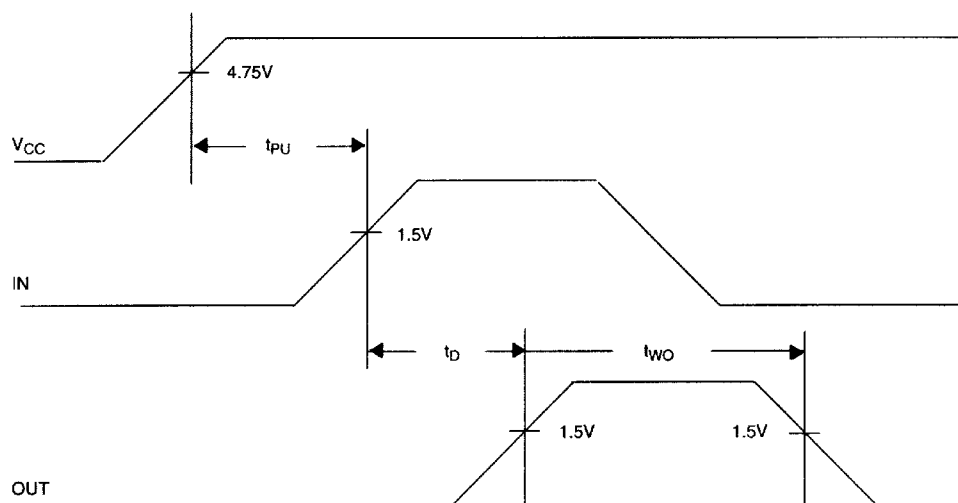
PARAMETER	SYMBOL	MIN	TYP	MAX	UNITS	NOTES
Input Capacitance	$C_{IN}$		5	10	pF	

**NOTES:**

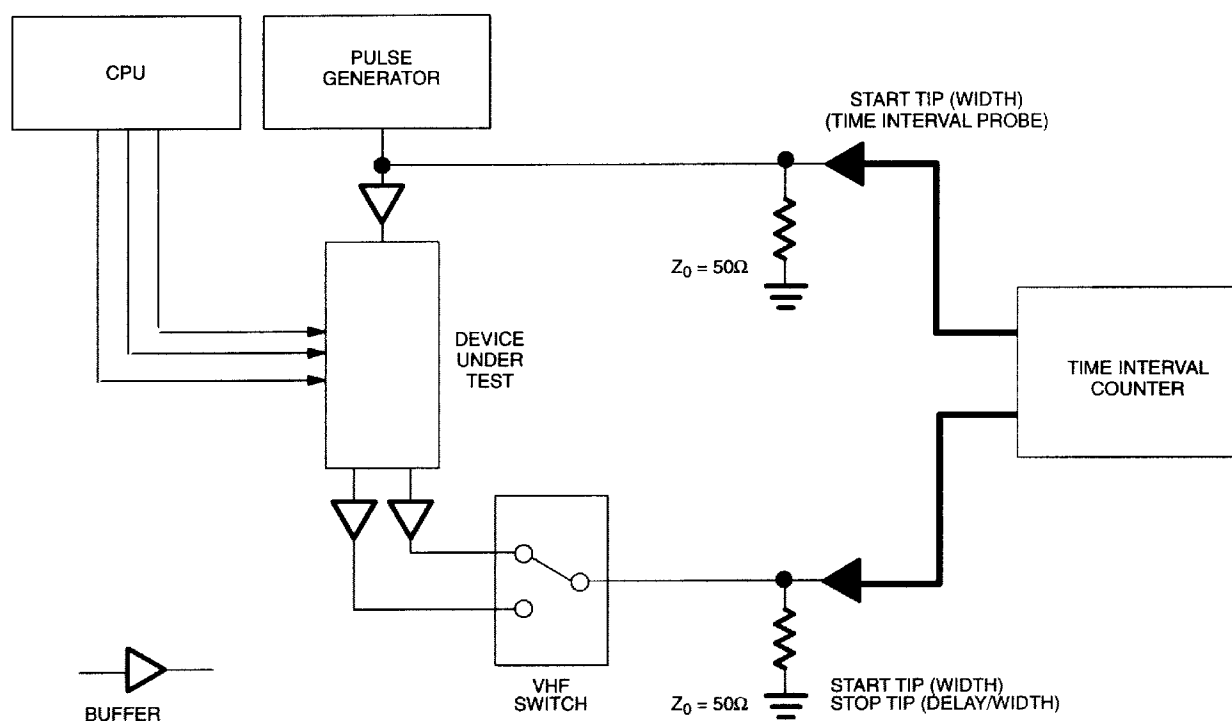
1. All voltages are referenced to ground.
2. Measured with outputs open, minimum period.
3.  $V_{CC} = 5V @ 25^{\circ}C$ . Width accurate to within  $\pm 2$  ns or 5%.
4. Temperature variations between  $0^{\circ}C$  and  $70^{\circ}C$  may increase or decrease width by an additional  $\pm 1$  ns or  $\pm 3\%$ , whichever is greater.
5. For DS1040 pulse generators with maximum widths less than 50 ns, temperature variations between  $0^{\circ}C$  and  $70^{\circ}C$  may increase or decrease width by  $\pm 1$  ns or  $\pm 9\%$ , whichever is greater.
6.  $I_{CC}$  is a function of frequency and maximum width. Only a pulse generator operating with 40 ns period and  $V_{CC} = 5.25V$  will have an  $I_{CC} = 75$  mA. For example, a -100 will never exceed 30 mA, etc.
7. See "Test Conditions" sections at the end of this data sheet.

**TIMING DIAGRAM Figure 2**

## POWER-UP TIMING DIAGRAM Figure 3



## TEST CIRCUIT Figure 4



## TERMINOLOGY

**Period:** The time elapsed between the leading edge of the first trigger pulse and the leading edge of the following trigger pulse.

**$t_{WIH}$ ,  $t_{WIL}$ ,  $t_{WO}$  (Pulse Width):** The elapsed time on the pulse between the 1.5V point on the leading edge and the 1.5V point on the trailing edge, or the 1.5V point on the trailing edge and the 1.5V point on the leading edge.

**$t_{RISE}$  (Input Rise Time):** The elapsed time between the 20% and the 80% point on the leading edge of the input pulse.

**$t_{FALL}$  (Input Fall Time):** The elapsed time between the 80% and the 20% point on the trailing edge of the input pulse.

**$t_D$  (Intrinsic Delay):** The elapsed time between the 1.5 point on the leading edge of the input trigger pulse and the 1.5V point on the leading edge of output pulse.

**$t_{PU}$  (Power-up Time):** After  $V_{CC}$  is valid, the time required before timing specifications is within tolerance.

## TEST SETUP DESCRIPTION

Figure 4 illustrates the hardware configuration used for measuring the timing parameters on the DS1040. The input waveform is produced by a precision pulse generator under software control. The intrinsic delay is measured by a time interval counter (20 ps resolution) connected between the input and each output. Outputs are selected and connected to the counter by a VHF switch control unit. Width measurements are made by directing both the start and stop functions of the counter to the same output. All measurements are fully automated, with each instrument controlled by a central computer over an IEEE 488 bus.

## TEST CONDITIONS

### Input:

Ambient Temperature:	$25^{\circ}\text{C} + 3^{\circ}\text{C}$
Supply Voltage ( $V_{CC}$ ):	$5.0\text{V} + 0.1\text{V}$
Input Pulse:	High = $3.0\text{V} + 0.1\text{V}$ Low = $0.0\text{V} + 0.1$

Source Impedance:	50 ohm max.
Rise and Fall Time:	3.0 ns max. (measured between 0.6V and 2.4)

Pulse Width:	500 ns (1 $\mu\text{s}$ for -500)
Period:	1 $\mu\text{s}$ (2 $\mu\text{s}$ for -500)

### Output:

The output is loaded with a 74F04. Delay is measured at the 1.5V level on the rising and falling edge.

### Note:

Above conditions are for test only and do not restrict the operation of the device under other data sheet conditions.